

## Security Curbing (35116)

The security curbing provides a safe border around dock edges for wheelchairs and attaches in the T-nuts located around the outside perimeter of the dock. Curbing is 116" in length, and you will need to cut, fit and drill holes in the proper locations. Curbing is made from recycled materials.

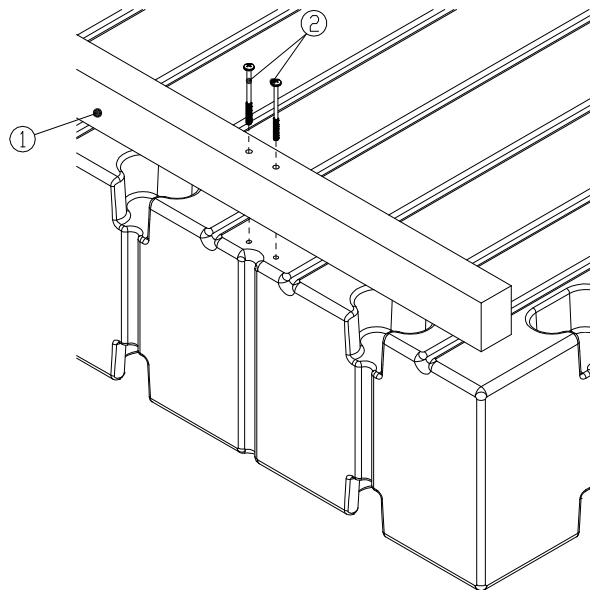


## Installation

### Tools Required:

#4 Phillips Screw Driver

1. Place curbing or vinyl edging on dock section in area to cover. You may need to cut it to fit. Mark T-nut locations and drill.
2. Use 5/16" X 3" flathead Phillips bolt (80530SS) and attach into T-nuts. (Part Number 80530SS is sold separately.)



ITEM	QTY.	PART NO.	DESCRIPTION
1	1	S35116	CURBING 2-1/2" X 3-1/2" X 10'
2	2	80530SS	BOLT 5/16"-18 X 3" FLAT SS