

Utility Channel (301260, 302060, 302020, 302030 & 302040)

Utility channel is a two-piece chase way that attaches to the side of dock sections allowing conduit for utilities. It is available in two widths, 12" and 20". The 20" utility channel has an inside or outside corner, 20" X 20", and end caps are available.



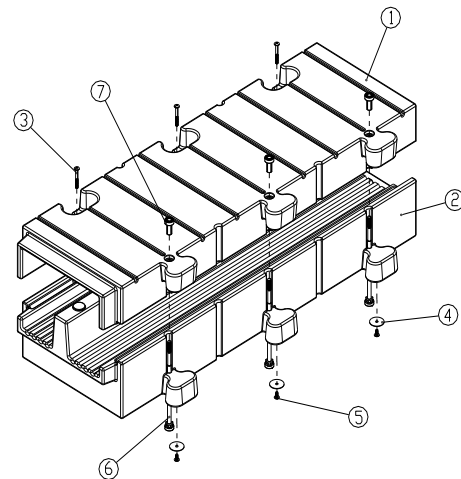
Utility Channel Installation

Tools Required:

Ratchet
 1/2" and 15/16" Socket
 Composite Coupler Tool
 Hammer

Utility channels are factory assembled.

1. Remove truss head bolts from pocket area and composite coupler nut from the coupler area. Leave the bolt and washer on bottom.
2. Lift off utility channel top and place in pockets on the side of the dock.
3. Reach under the dock section and insert composite coupler bolt into position by aligning it up through the hole in the utility channel.
4. Thread composite coupler nut onto bolt, being careful not to over tighten.



ITEM	QTY.	PART NO.	DESCRIPTION
1	1	32006	20" UTILITY CHANNEL TOP
2	1	32009	20" UTILITY CHANNEL BOTTOM
3	3	81530SS	BOLT 5/16"-18 X 3" TRUSS SS
4	3	80719SS	WASHER 5/16" X 2" SS
5	3	80575SS	BOLT 5/16"-18 X 3/4" TRUSS HEAD
6	3	211003	BOLT COMPOSITE BOLT LONG
7	3	22003	NUT COMPOSITE