

EZ Dock Swim Ladder (300260)

The one piece polyethylene ladder is designed for optimal safety with no exposed hardware and 300 pounds of weight capacity. Slip-resistant textured beige color surface stays cool to the touch in hot weather.

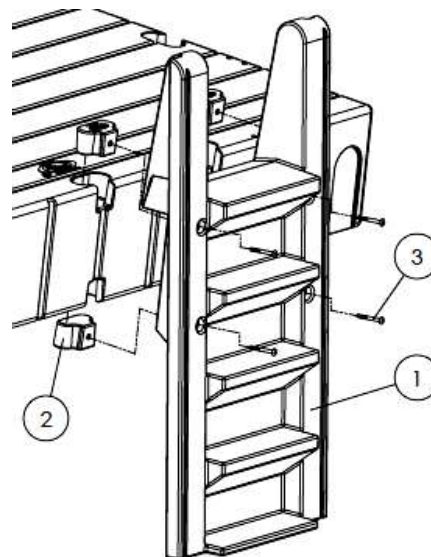
To assist with the installation of the ladder, there is a hole on the back side of the ladder. Place this hole under water and allow the ladder to fill about a quarter way full with water.

Installation

Tools Required:

#4 Phillips Screw Driver

1. Loosely attach two of the polyethylene hardware connectors (201035) to the lower two attachment points of the ladder using two 3/8-16 X 3-1/2 truss head bolts (80636SS). For attaching the ladder to low profile installations, put two hardware connectors in the middle attachment point holes.
2. Place the remaining two polyethylene hardware connectors in the top pockets of the dock where the ladder is attached.
3. Place the ladder into the water and bring the bottom two connectors up and into the bottom pockets of the dock.
4. With the bottom connectors fully up and into the bottom pockets, bring the top of the ladder toward the dock and into position over the top connectors.
5. Thread two bolts through the top holes in the ladder and into the top connectors.



ITEM	QTY.	PART NO.	DESCRIPTION
1	1	30260	SWIM LADDER POLY 5 STEP
2	4	S21142SS	LADDER CONNECTOR POLY SS
3	4	80636SS	BOLT 3/8"-16 X 3-1/2" TRUSS SS