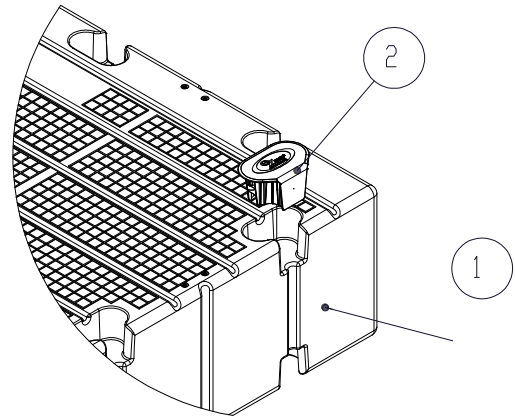


Pocket Filler (201030 and 201030-GID)

These pocket fillers are used to fill all empty coupler pocket recessions after installation of the dock, anchorage components, and/or accessories. (Glow-in-the-Dark options are also available).

1. Insert pocket filler into coupler pocket.
2. Press or force pocket filler into the pocket until it is fully seated.



IMPORTANT!!!!

All empty coupler pockets must be filled with the pocket filler (201030) prior to use.

ON

ITEM	QTY.	PART NO.	DESCRIPTION	IGE
1	1	N/A	DOCK OR PORT SECTI	
2	1	201030	KIT POCKET FILLER BE	