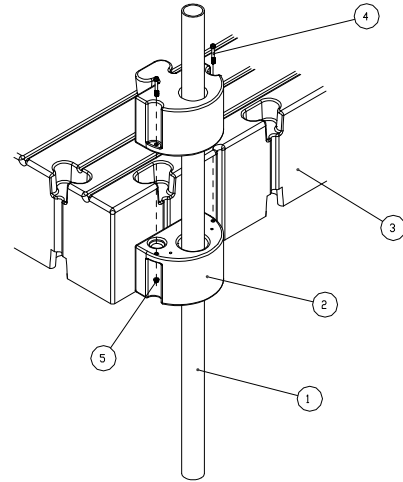


## Standard-Duty Pipe Bracket Installation (130250, 130250, and 130251)

### Tools Required:

Ratchet  
1/2" socket  
1/2" wrench

1. Slide the polyethylene bracket halves over the top of the pipe as shown. The two halves of the bracket are identical.
2. Align the pipe next to the dock where it is to be attached. The pipe should be placed so that it is centered with a pocket.
3. Install the bottom half of the bracket by inserting the molded-on coupler into the bottom pocket of the dock or lift.
4. Attach the top half of the bracket by inserting the molded-on coupler into the top pocket of the dock or lift.
5. Secure the two halves together using the supplied 5/16" bolts and nuts.
6. Plumb the anchoring pipe with a level, then turn or drive the pipe into the soil until it is completely secure.



ITEM	QTY.	PART NO.	DESCRIPTION
1	1	N/A	ANCHORAGE PIPE
2	2	10014/10013	SD PIPE BRACKET HALF
3	N/A	N/A	DOCK OR PORT SECTION
4, 5	1	S13025	PARTS CARTON